



Thank you for choosing Dee Zee to add function and accessorize your vehicle. Dee Zee has been a staple brand in the truck accessory market since 1977 and we hold a reputation of quality manufacturing based in America's Heartland. Our products are born through careful engineering and backed by industry leading warranty programs. We appreciate the opportunity to serve you and your vehicle!

**Review the instruction pages in their entirety to prepare the required tools**

**Warning:** Please check for wiring or other obstructions before drilling any holes in the vehicle. If it is necessary to drill any holes, Dee Zee recommends putting a sealant or rust inhibitory around all holes drilled into the body of the vehicle.

It is the sole responsibility of the vehicle owner to check for tire clearance. It is unlawful and dangerous to ride on any external vehicle step while the vehicle is in motion.

**Cleaning:** To be entitled to all warranty rights offered with the product, Dee Zee steps need to be cleaned regularly with a mild detergent. Do NOT use abrasive cleaners. For stainless steel products, the application of a high grade automotive wax is recommended.

**⚠ WARNING: Cancer and Reproductive Harm**


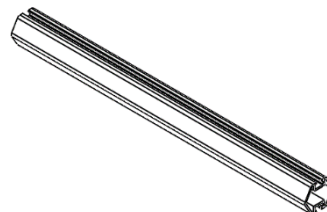
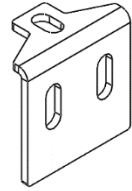
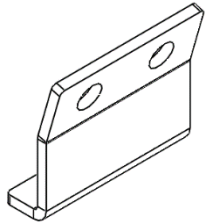
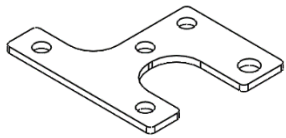

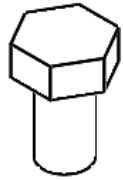
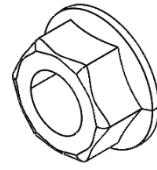
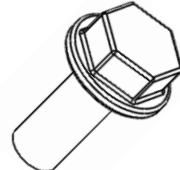
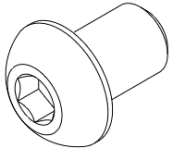
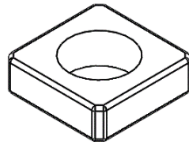

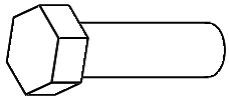
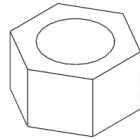
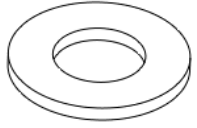
Operating, servicing, and maintaining a passenger vehicle can expose you to chemicals such as lead, phthalates, engine exhaust, and carbon monoxide that are known to the State of California cause cancer and birth defects or other reproductive harm. To minimize exposure, service your vehicle and its accessories in a well-vented area and wear gloves or wash your hands frequently.



Dee Zee Cares - Please Recycle

## Jeep Roof Rack Installation Instructions

### DZ 4472JL & DZ 4463JP Jeep Wrangler JK, JL, JT 2007-Current

<p><b>A</b> 60" Hex Tube</p>  <p>HEX 60TBP</p> <p>DZ 4472JL X6 DZ 4463JP X2</p>	<p><b>B</b> 24" Hex Tube</p>  <p>JPRR024P</p> <p>X2</p>	<p><b>C</b> Base Bracket</p>  <p>B 2633P</p> <p>DZ 4472JL X8 DZ 4463JP X4</p>
<p><b>D</b> Clamp Bracket</p>  <p>B 2634P</p> <p>DZ 4472JL X8 DZ 4463JP X4</p>	<p><b>E</b> Cross Plate Bracket</p>  <p>B 2641P</p> <p>DZ 4472JL X8 DZ 4463JP X4</p>	<p><b>F</b> Small Hex Endcap</p>  <p>EC DZE-581ASSM</p> <p>DZ 4472JL X16 DZ 4463JP X8</p>
<p><b>G</b> M8 X14mm Bolt</p>  <p>PN 247</p> <p>DZ 4472JL X8 DZ 4463JP X4</p>	<p><b>H</b> M8 Hex Flange Nut</p>  <p>PN 526</p> <p>DZ 4472JL X24 DZ 4463JP X12</p>	<p><b>I</b> M8 X 20mm Hex Bolt</p>  <p>PN 527</p> <p>DZ 4472JL X16 DZ 4463JP X8</p>
<p><b>J</b> M8-1.25X12mm Button Head Bolt</p>  <p>PN 1260</p> <p>DZ 4472JL X32 DZ 4463JP X16</p>	<p><b>K</b> M8 Square Nut</p>  <p>PN 1262</p> <p>DZ 4472JL X32 DZ 4463JP X16</p>	<p><b>L</b> Swivel</p>  <p>PN 1130</p> <p>DZ 4472JL X8 DZ 4463JP X4</p>
<p><b>M</b> 3/8-16 x 1 1/4 Hex Bolt</p>  <p>PN 114B</p> <p>DZ 4472JL X8 DZ 4463JP X4</p>	<p><b>N</b> 3/8-16 Black Hex Nut</p>  <p>PN 90B</p> <p>DZ 4472JL X8 DZ 4463JP X4</p>	<p><b>O</b> Washer</p>  <p>PN 569</p> <p>DZ 4472JL X16 DZ 4463JP X8</p>

**P**

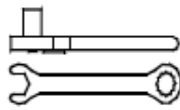
.75 ID Vinyl Cap



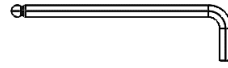
DZ 4472JL X8  
DZ 4463JP X4

CP 07

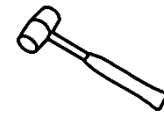
### Required Tools



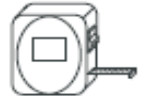
Wrench  
13mm  
9/16



Allen Wrench  
5mm



Rubber Mallet



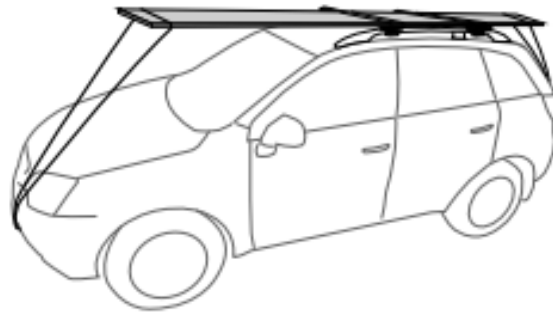
Tape Measure



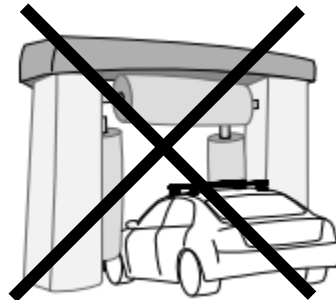
### Roof Rack Load Rating

\*All rated loads evenly distributed across both cross rails

- 24" Side Rail Rack: 200lb. Max load All Time
- 60" Side Rail Rack: 225lb. Max load Dynamic (Driving)  
600lb. Max Load Static (Parked)



Long loads such as, but not limited to, paddleboards, kayaks, surfboards, canoes, lumber, mattresses, and construction materials must be securely tied down at minimum to the roof rack and to the front of the vehicle.

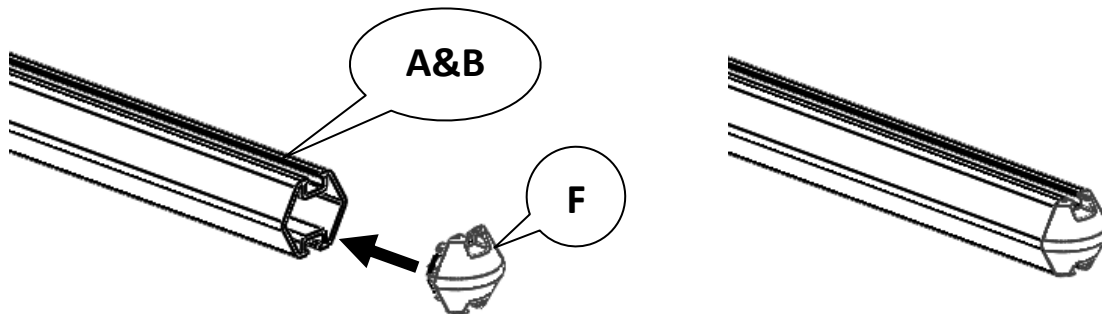


Remove roof rack before putting vehicle through automatic car wash.

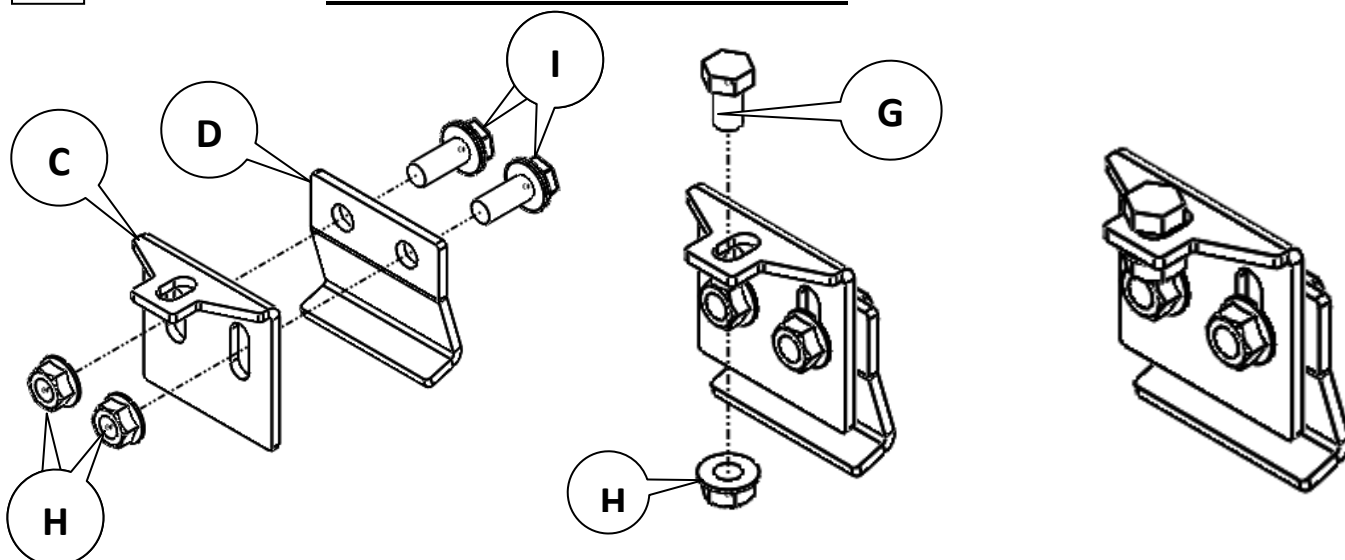


Make sure all knobs, bolts, and straps are firmly attached and tightened before every trip. Knobs, bolts, and straps must be checked periodically for wear, corrosion, and fatigue. Check your load at stops during the trip to ensure continued fastening security.

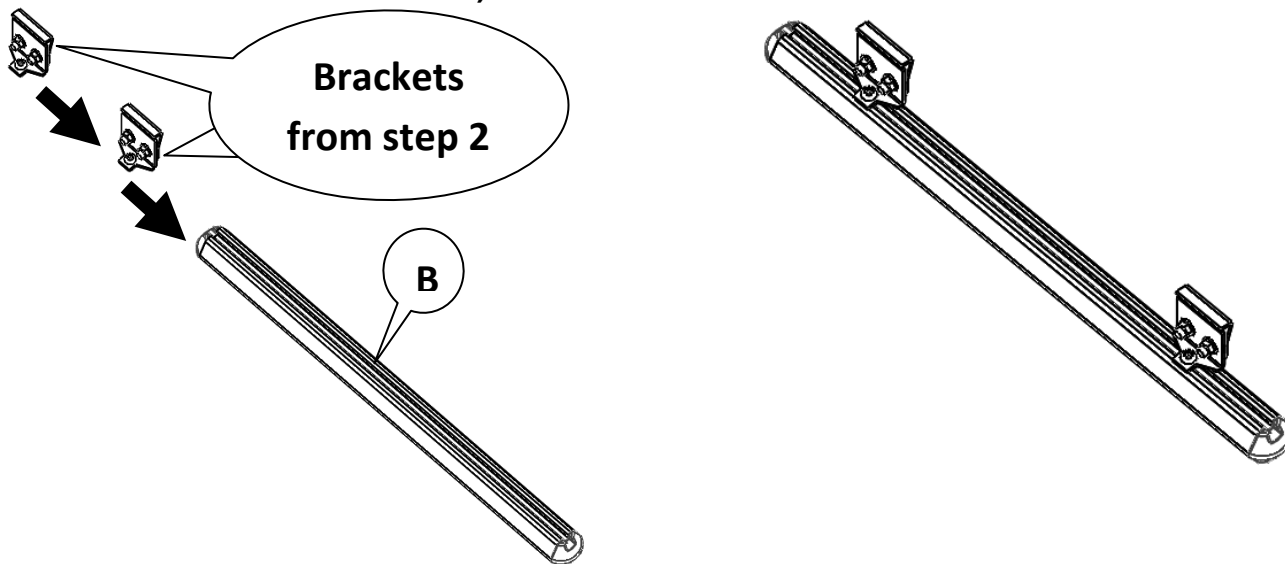
- 1** First install all endcaps (F) onto the rails (A&B) by first hand pushing them to set in place, then hitting them with a rubber mallet.



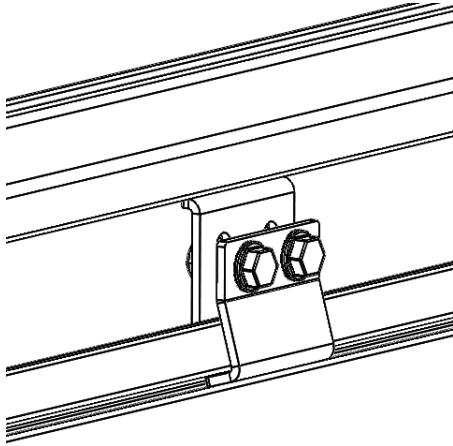
- 2** Assemble base brackets (C) and clamp brackets (D) using bolts (I&G) and nuts (H) as shown below. Leave hardware loose at this time.



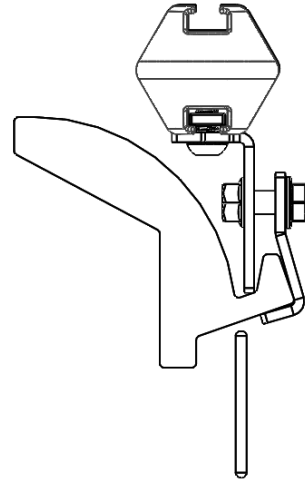
- 3** Install two brackets from step 2 onto a 24" hex tube (B) by sliding the bolts into the channel of the tube. Brackets must be installed 2" - 4" from either end of the tube. Fully tighten the brackets to the tube. (Brackets must be installed 6" - 12" from either side of the 60" tube in DZ 4472JL)



- 4** Install tube and brackets on the driver's side with the base bracket into the gutter and the clamp bracket on the outside of the rain channel. The tube can be used on the freedom tops or the hard top but cannot go between the freedom tops and the hardtop. Lift up on the clamp bracket and hand tighten the brackets to the rain channel. If you have the DZ 4472JL you must put the 24" tube on the freedom tops.

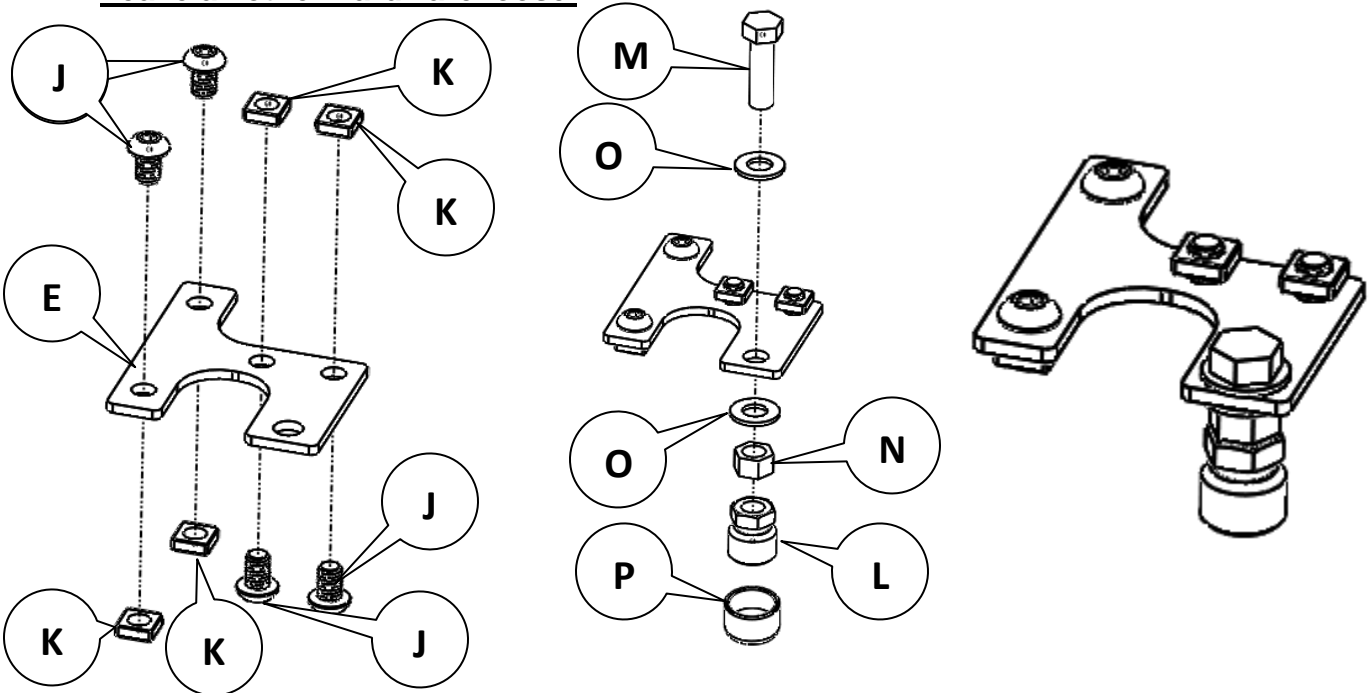


Repeat steps 3 and 4 on the passenger side.



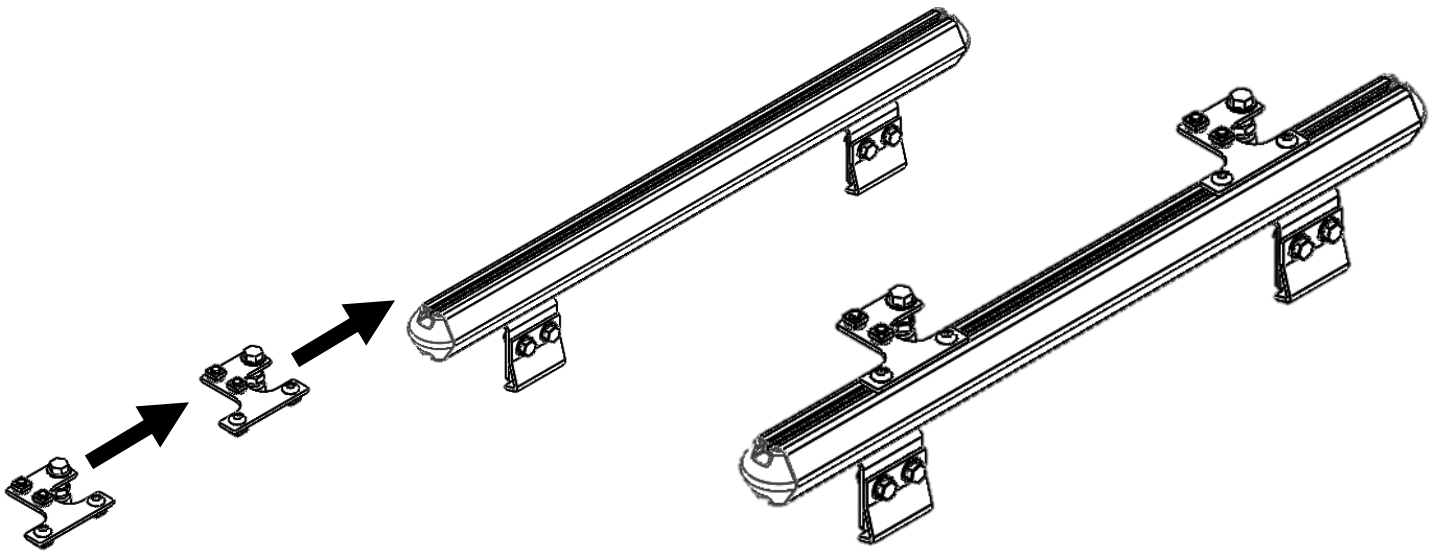
Front view

- 5** Assemble the cross plate brackets (E) using bolts (J) and nuts (K). Then install the bolt (M), washers (O), nut (N), swivel (L), and cap (P). Fully tighten bolt (M) and nut (N). Leave all other hardware loose.



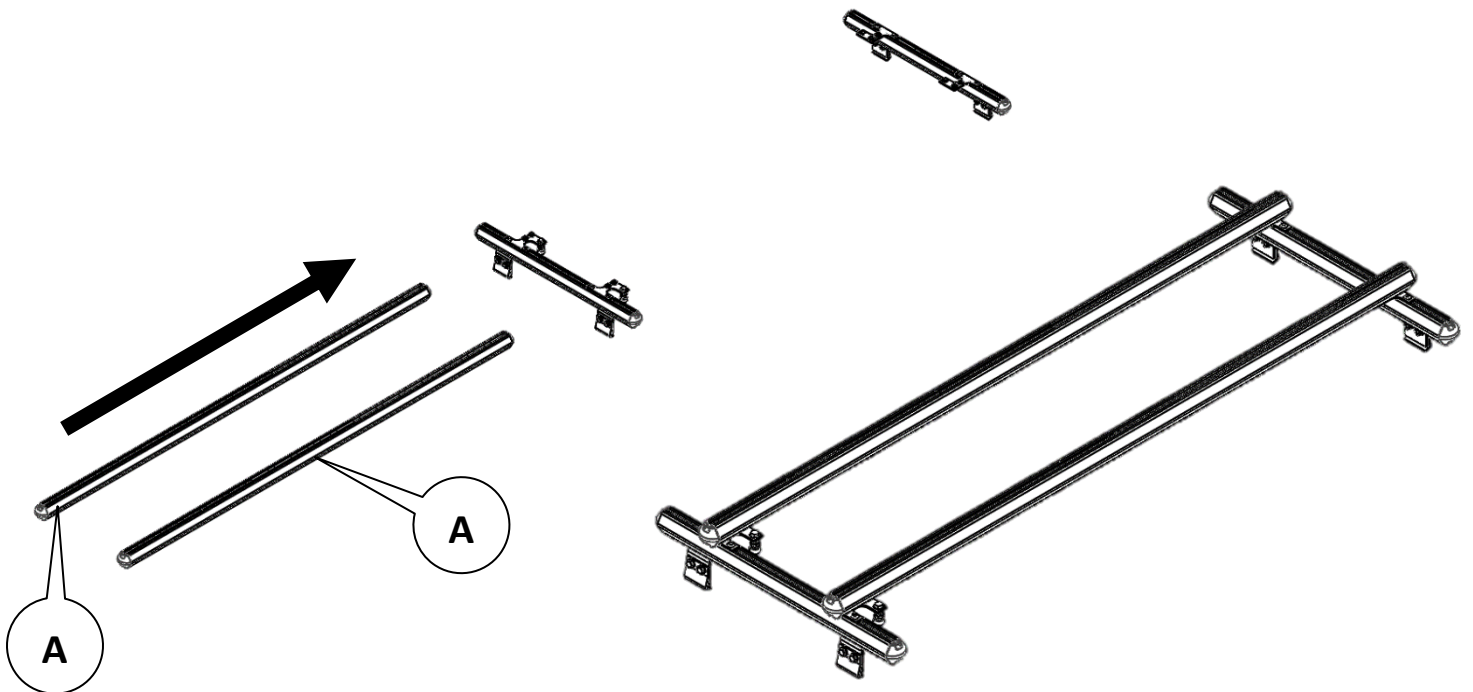
JPROOFRACK

- 6** Slide the preassembled brackets from step 5 into the channels as shown below. Cross rails must be installed above or inset of the clamp brackets.



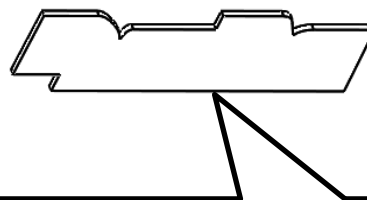
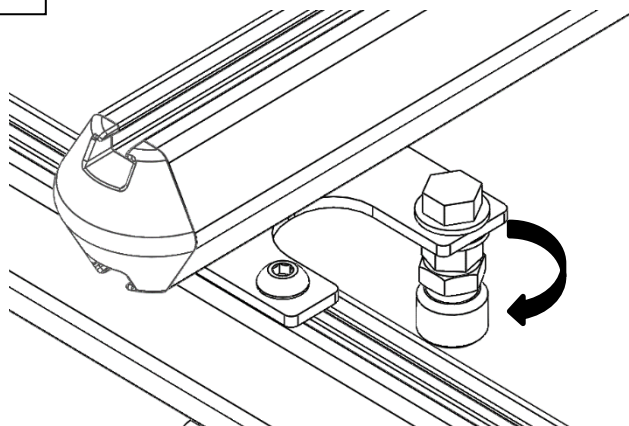
Repeat this step on the passenger side.

- 7** Slide the 60" hex tubes (A) through the nuts on the cross plate brackets. Center the rail and fully tighten the brackets to the 60" rail. Then lift up the clamp bracket on the rain channel and fully tighten the clamp bracket to the base bracket.



**8**

Turn swivel on the cross plate brackets until the swivel touches off on the top.



There are Dee Zee  
Metal Labels given.  
Place in desired  
position on hex rails.

If you have a DZ 4472JL Repeat steps 3 through 8 on the hard top using the 60" rail (A) instead of the 24" rail (B).

### Roof Rack Load Rating

\*All rated loads evenly distributed across both cross rails

- 24" Side Rail Rack: 200lb. Max load All Time
- 60" Side Rail Rack: 225lb. Max load Dynamic (Driving)  
600lb. Max Load Static (Parked)